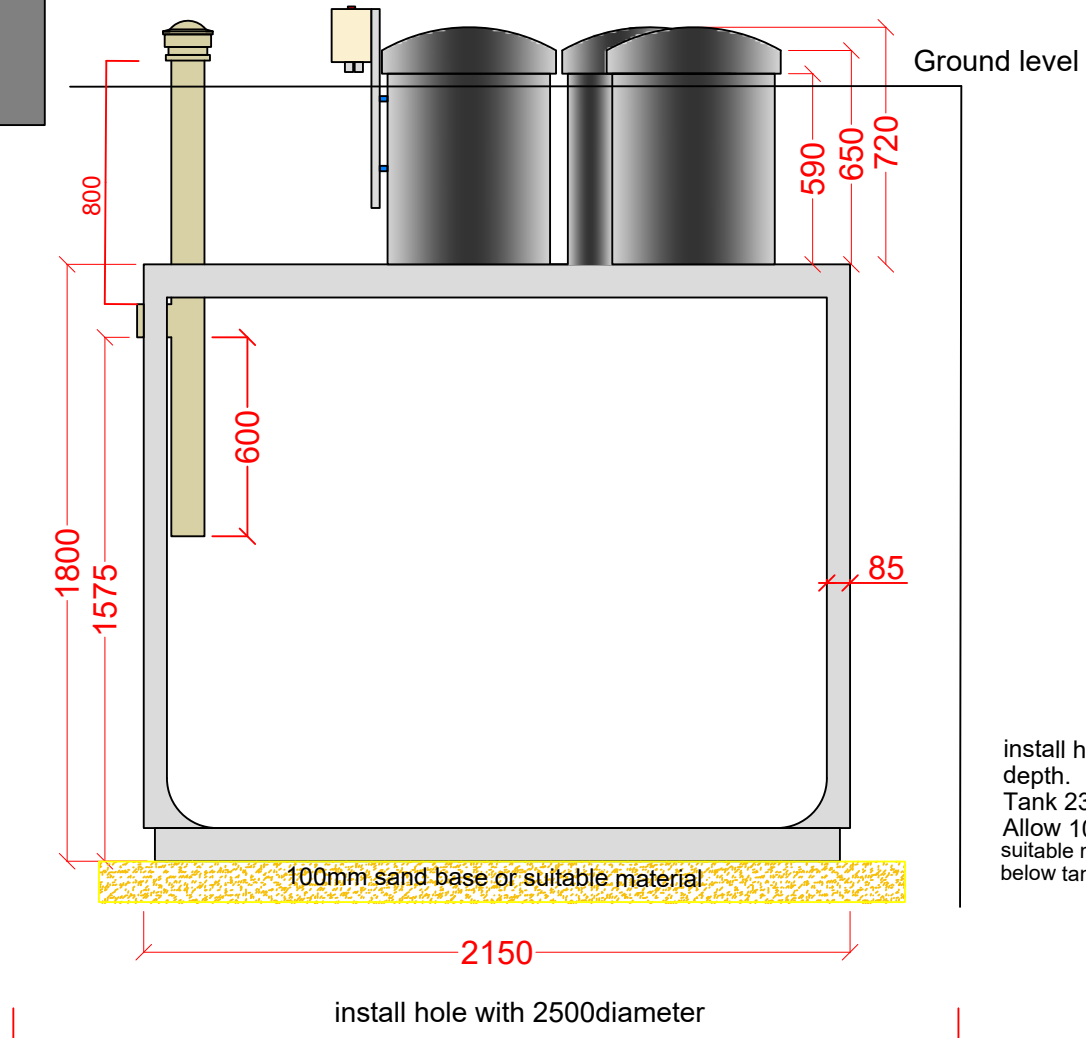
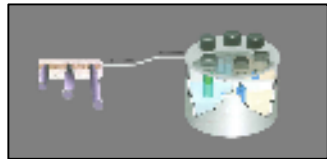
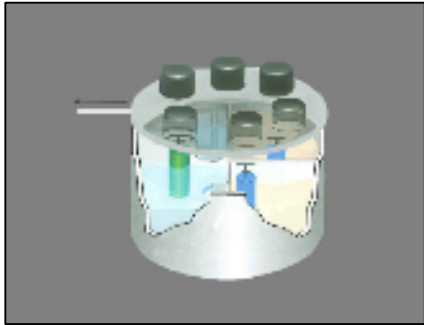


# ProTec 5 WWTP



install hole depth.  
Tank 2350  
Allow 100mm of suitable material below tank

**WRIGHT TANKS LTD**



Name:	ProTec 5000
Address:	
Drawn By:	Do not scale
Scale:	7/10/2012
Date:	
Ref #:	
Signed:	

fp: 0800 253 273  
t: 06 353 6157 f: 06 353 3020  
PO Box 4777 Palmerston North 4442  
Email: [admin@wrighttanks.co.nz](mailto:admin@wrighttanks.co.nz)  
[www.wrighttanks.co.nz](http://www.wrighttanks.co.nz)

This design remains the property of Wright Tanks Limited and may not be altered, reproduced or installed (wholly or in part) by any person not accredited as a Wright Tanks Limited approved installer.